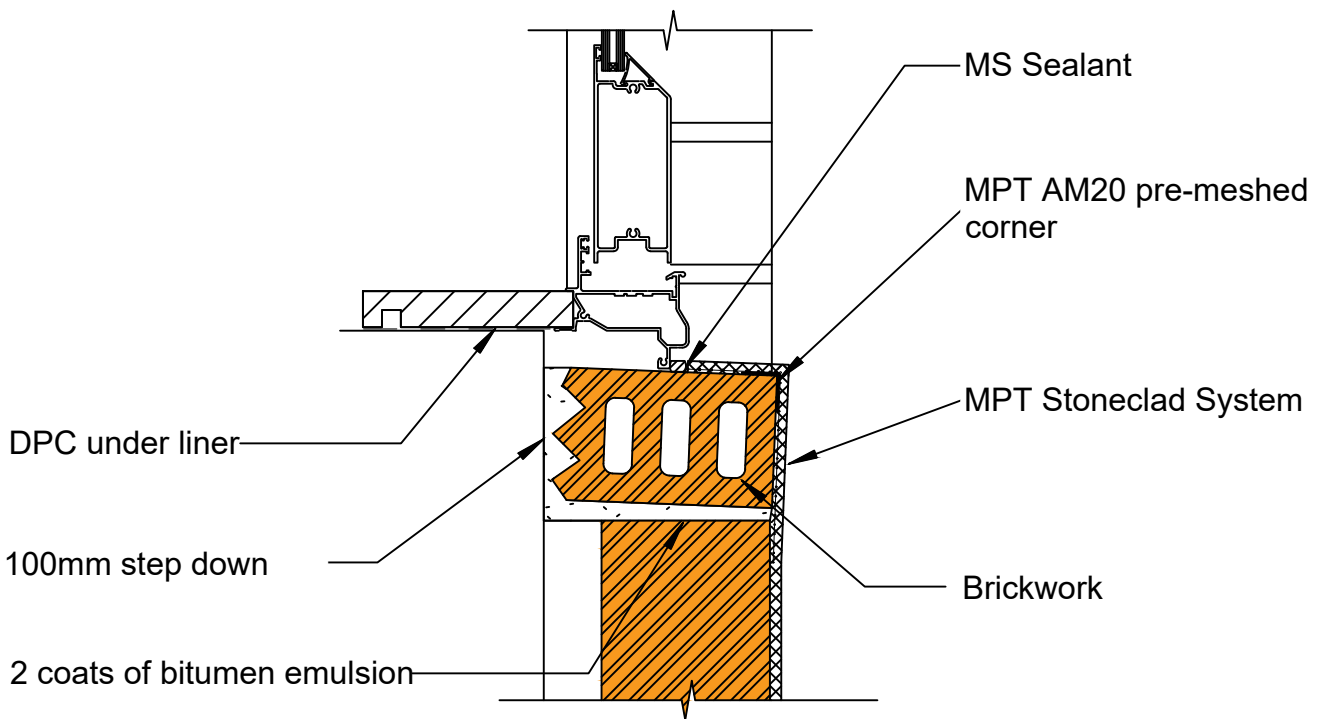


Coat sill bricks, if flat, with waterproofing agent



Note:

- If brick is to be sloped further, either increase the depth of the step or reduce the thickness of the block.
- Mortar joints $10\text{mm} \pm 3$, 6mm max rake (Hard-tooled concave joint preferred).